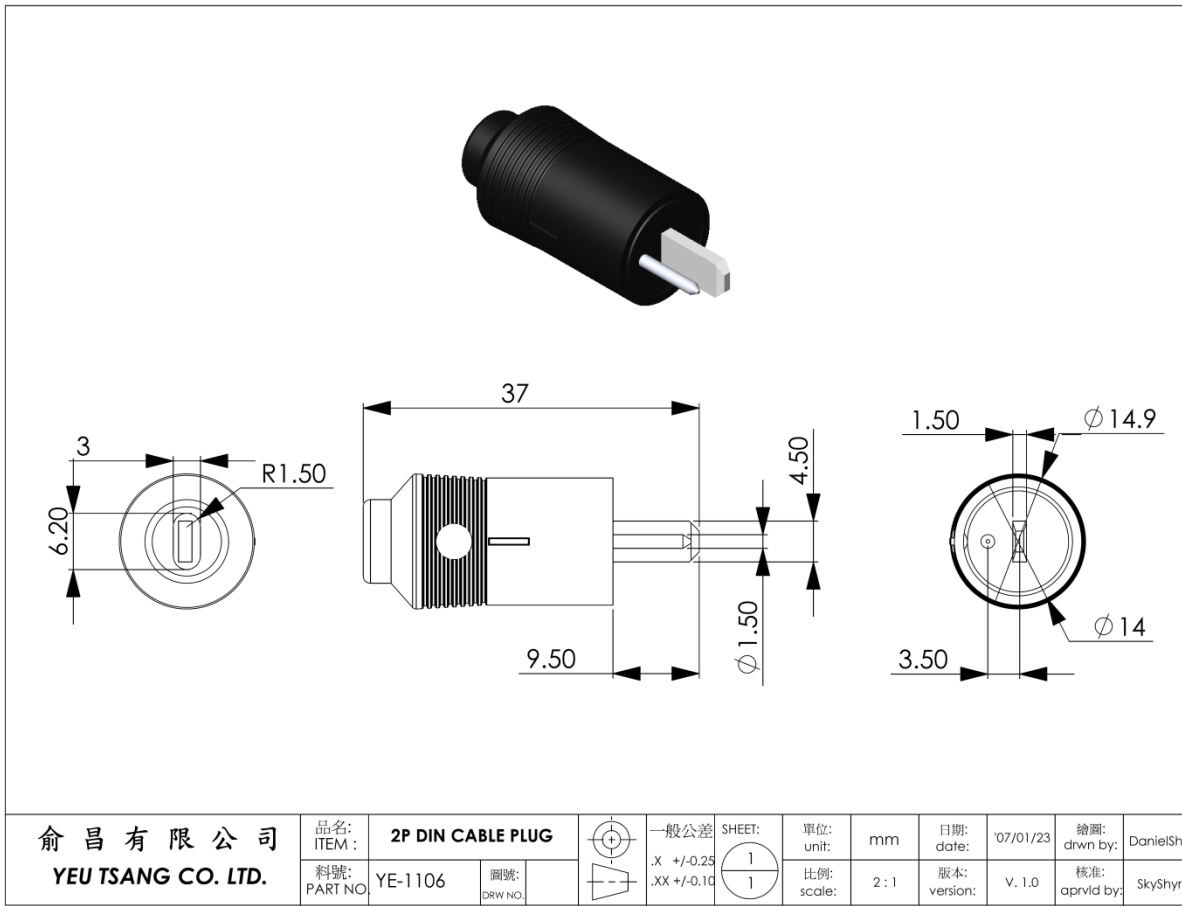


YE-1106 2P DIN CABLE PLUG



COPYRIGHT BY YEU TSANG

MATERIALS :

1. HOUSING : ABS
2. SHELL COVER : PA
3. TERMINALS : BRASS NICKEL PTD.

SPECIFICATION :

rating :

100V AC 1A MAX

contact resistance :

30mΩ MAX

insulation resistance :

MIN 100 MEGΩ @500V DC

voltage withstand :

250V AC R.M.S. for 1
minute